

# PARTS LIST

## M-311CTS(10)

### CONTENTS

1. ENGINE .....	1 ~ 2
2. OIL PUMP .....	3 ~ 4
3. CARBURETOR .....	5 ~ 8
4. ENGINE CASE .....	9 ~ 10
5. RECOIL STARTER .....	11 ~ 12
6. HANDLE .....	13 ~ 14
7. CHAIN CASE .....	15 ~ 16
8. LABEL, ACCESSORIES .....	17 ~ 18

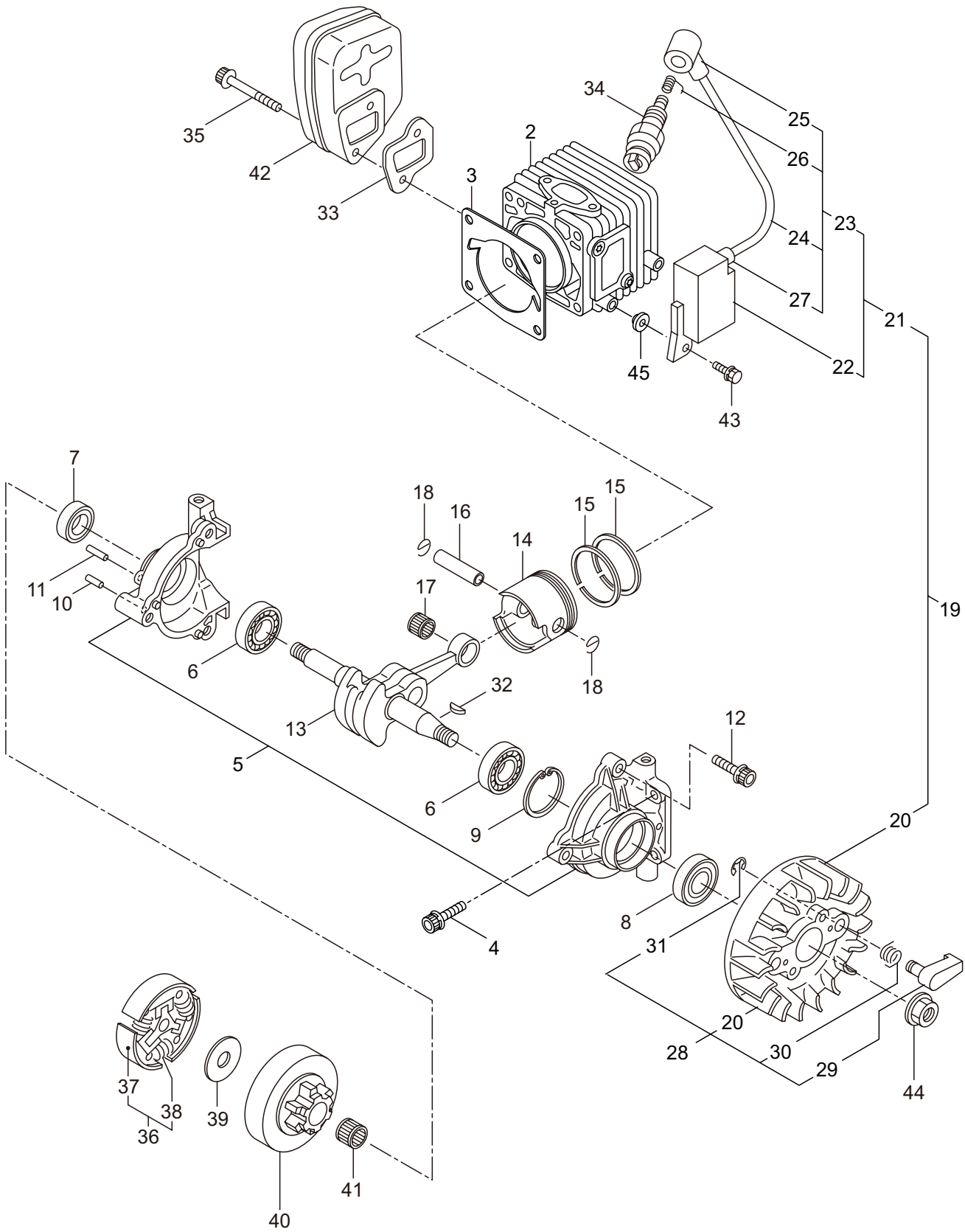
2014. 07.



**MARUYAMA**

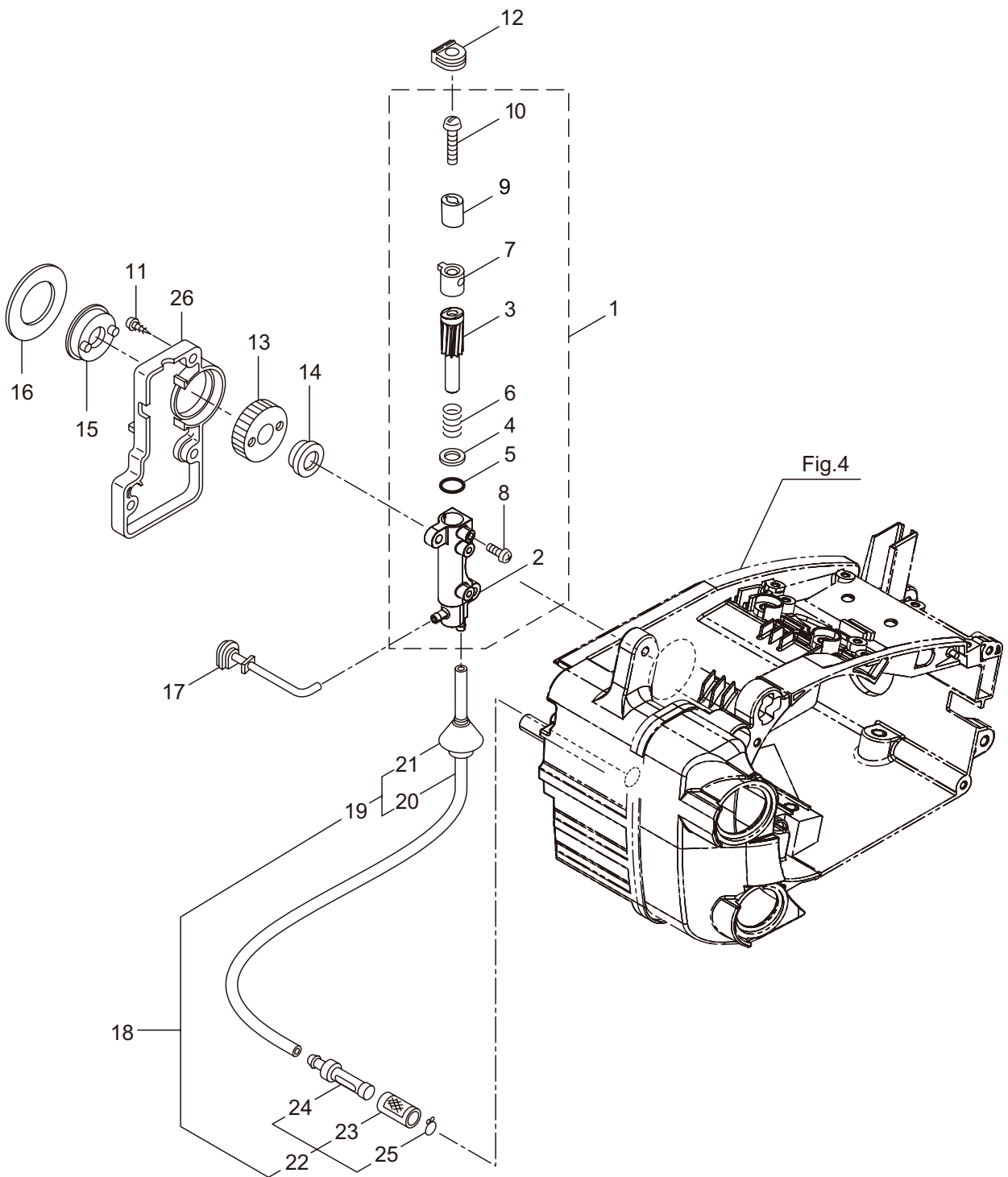
P/N 523732-1

1. M-311CTS(10)  
ENGINE



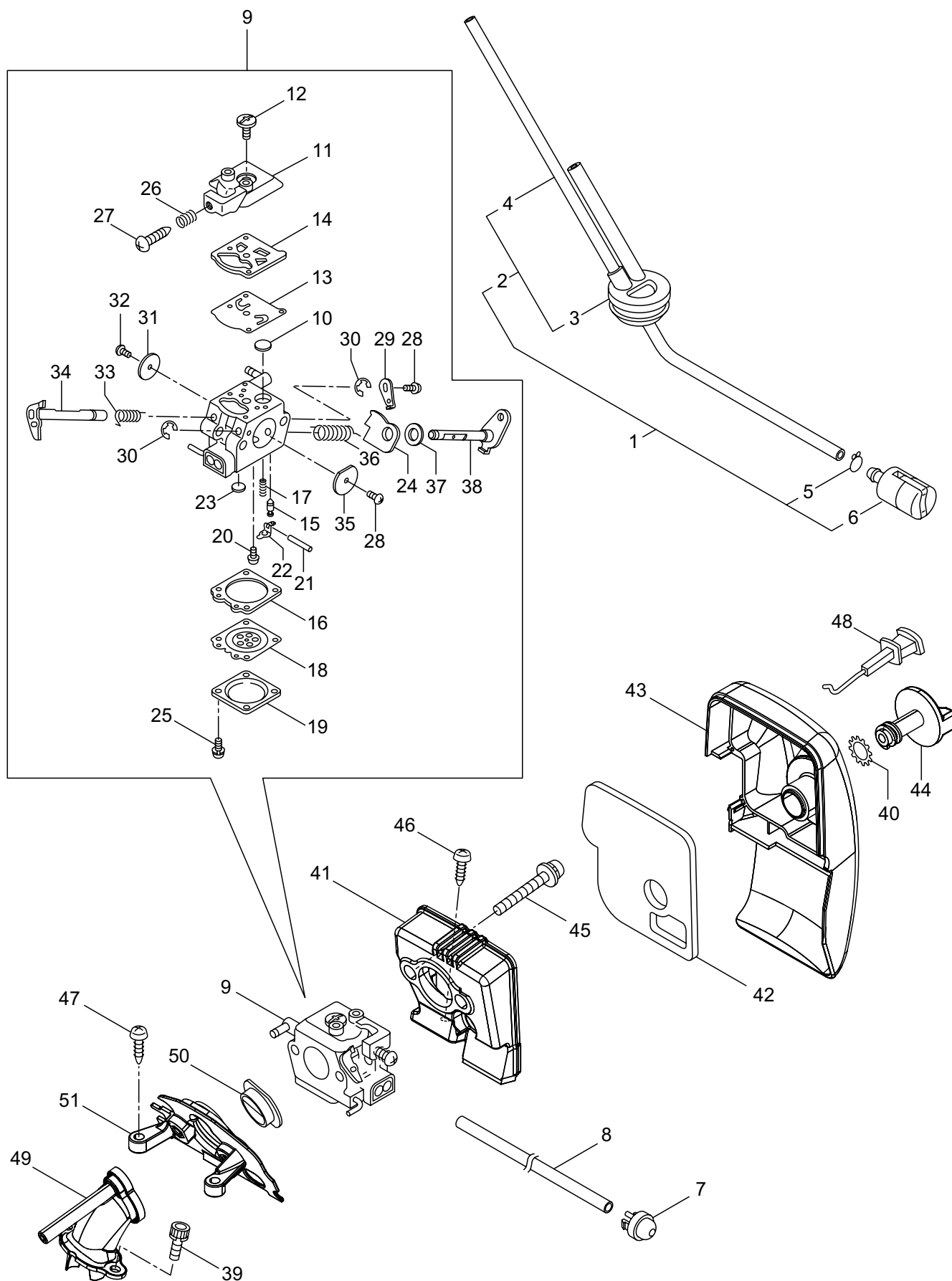
Ref. No.	Part No.	Part Name	Q'ty	Remarks
1-1	362826	M-311CTS(10)	1	
1-2	288931	Cylinder	1	
1-3	289341	Gasket	1	
1-4	261250	Cap Screw	4	M5x20
1-5	288846	Crankcase	1	
1-6	285521	Bearing	2	
1-7	285626	Oil Seal	1	
1-8	261492	Oil Seal	1	ISCD12287
1-9	055185	Snap Ring	1	#28
1-10	285560	Pin	1	3x9.8
1-11	285529	Pin	1	3x13.8
1-12	261232	Cap Screw	3	M5x20
1-13	285599	Crankshaft Comp.	1	
1-14	273265	Piston	1	
1-15	285590	Piston Ring	2	P111
1-16	285591	Piston Pin	1	8x31
1-17	261037	Bearing,Needle	1	KBK8x11x11.8x1
1-18	261576	Clip,Piston	2	
1-19	289489	Magneto Ass'y	1	Incl.20-27
1-20	285555	Magneto Rotor	1	
1-21	289548	Ignition Coil Ass'y	1	Incl.22-27
1-22	289650	Coil	1	
1-23	286096	Cord Ass'y	1	Incl.24-27
1-24	286097	Cord	1	
1-25	261074	Plug Boot	1	
1-26	261075	Connector	1	
1-27	261072	Cap	1	
1-28	288365	Rotor Ass'y	1	Incl.20,29-31
1-29	285553	Starter Pawl	2	
1-30	285552	Spring	2	
1-31	020299	E-Ring	2	#4
1-32	261076	Woodruff Key	1	3x10
1-33	285472	Gasket	1	
1-34	288264	Spark Plug	1	NGK BPMR8Y
1-35	264223	Cap Screw	2	M5x40
1-36	285535	Clutch Ass'y	1	Incl.37,38
1-37	285655	Clutch Shoe	3	
1-38	285656	Spring	3	
1-39	285537	Washer	1	8x26xt2
1-40	286238	Clutch Drum	1	
1-41	285624	Needle Bearing	1	10x13x13
1-42	288965	Muffler Ass'y	1	
1-43	281211	Cap Screw	2	M4x20
1-44	261417	Nut,Rotor	1	M8
1-45	289481	Spacer	2	

2. M-311CTS(10)  
OIL PUMP



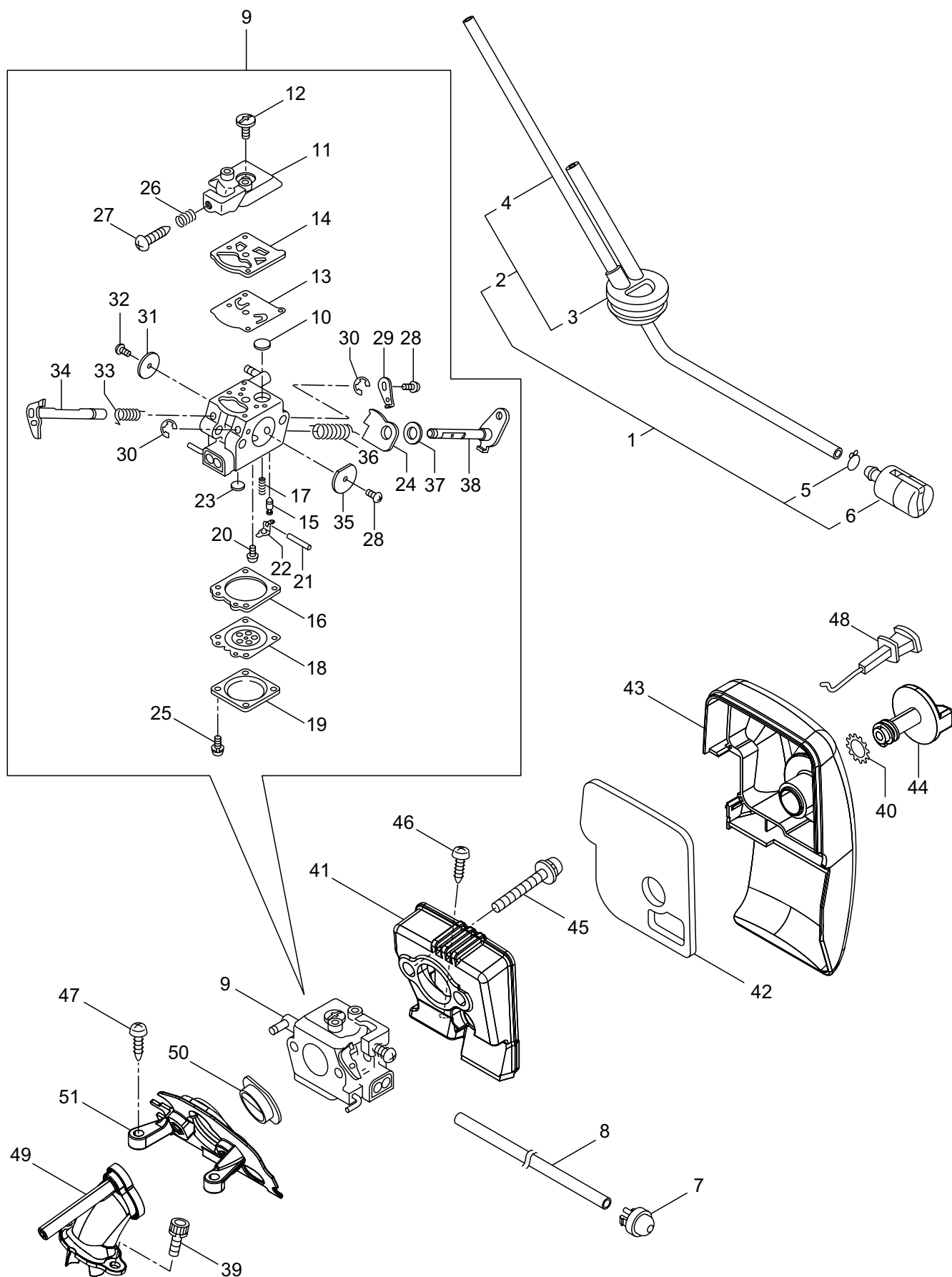
Ref. No.	Part No.	Part Name	Q'ty	Remarks
2-1	286816	Oil Pump Ass'y	1	Incl.2-10
2-2	285527	Pump Body	1	
2-3	285550	Wheel Gear	1	
2-4	286801	Washer	1	t0.5 6.5x9.8
2-5	014759	O-Ring	1	P6
2-6	285551	Spring	1	
2-7	285534	Pump Cap	1	
2-8	285630	Screw	1	M3x8
2-9	288184	Sleeve	1	
2-10	285617	Screw	1	M4x25
2-11	285631	Screw	5	M4x16
2-12	285528	Grommet	1	
2-13	286303	Worm Gear	1	
2-14	286843	Bush	1	
2-15	286305	Bush	1	
2-16	286241	Washer	1	
2-17	285522	Oil Pipe A	1	
2-18	286802	Oil Pipe B Ass'y	1	Incl.19-25
2-19	285523	Oil Pipe B Ass'y	1	Incl.20,21
2-20	265725	Pipe	1	220L
2-21	261339	Grommet	1	
2-22	286818	Oil Filtr Ass'y	1	Incl.23-25
2-23	285524	Oil Filtr	1	
2-24	285525	Oil Filtr Body	1	
2-25	261117	Clip	1	
2-26	285598	Oil Pump Cover	1	

### 3. M-311CTS(10) CARBURETOR



Ref. No.	Part No.	Part Name	Q'ty	Remarks
3-1	285488	Fuel Pipe Ass'y	1	Incl.2-6
3-2	285489	Pipe Ass'y	1	Incl.3,4
3-3	285490	Fuel Grommet	1	
3-4	285491	Fuel Pipe A	1	3x5x222L
3-5	261117	Clip	2	
3-6	286749	Filter Ass'y	1	
3-7	282299	Pump	1	
3-8	285492	Fuel Pipe B	1	2.4x5x145L
3-9	289500	Carburetor Ass'y	1	Incl.10-38
3-10	261872	Screen	1	
3-11	287168	Pump Cover	1	
3-12	287169	Screw	1	
3-13	287170	Diaphragm	1	
3-14	287171	Gasket	1	
3-15	262986	Needle Valve	1	
3-16	263727	Gasket	1	
3-17	287172	Spring	1	
3-18	283905	Diaphragm, Meterring	1	
3-19	263726	Cover Plate	1	
3-20	287173	Screw	1	
3-21	262989	Lever Pin	1	
3-22	262990	Lever	1	
3-23	287174	Plug	1	
3-24	287191	Lever	1	
3-25	287192	Screw	4	
3-26	287178	Spring	1	
3-27	287179	Idle Adjust Screw	1	
3-28	287180	Screw	2	
3-29	287181	Lever	1	
3-30	287182	Ring	2	
3-31	287183	Throttle Valve	1	
3-32	287184	Screw	1	
3-33	287185	Spring	1	
3-34	287186	Shaft	1	
3-35	287187	Choke Valve	1	
3-36	287188	Spring	1	
3-37	287189	Washer	1	
3-38	287190	Shaft	1	
3-39	285618	Bolt	2	M4x12
3-40	288404	Washer	1	
3-41	285539	Cleaner Body	1	
3-42	285584	Element	1	
3-43	285579	Cleaner Cover	1	
3-44	285540	Knob	1	
3-45	285633	Screw	2	M5x45

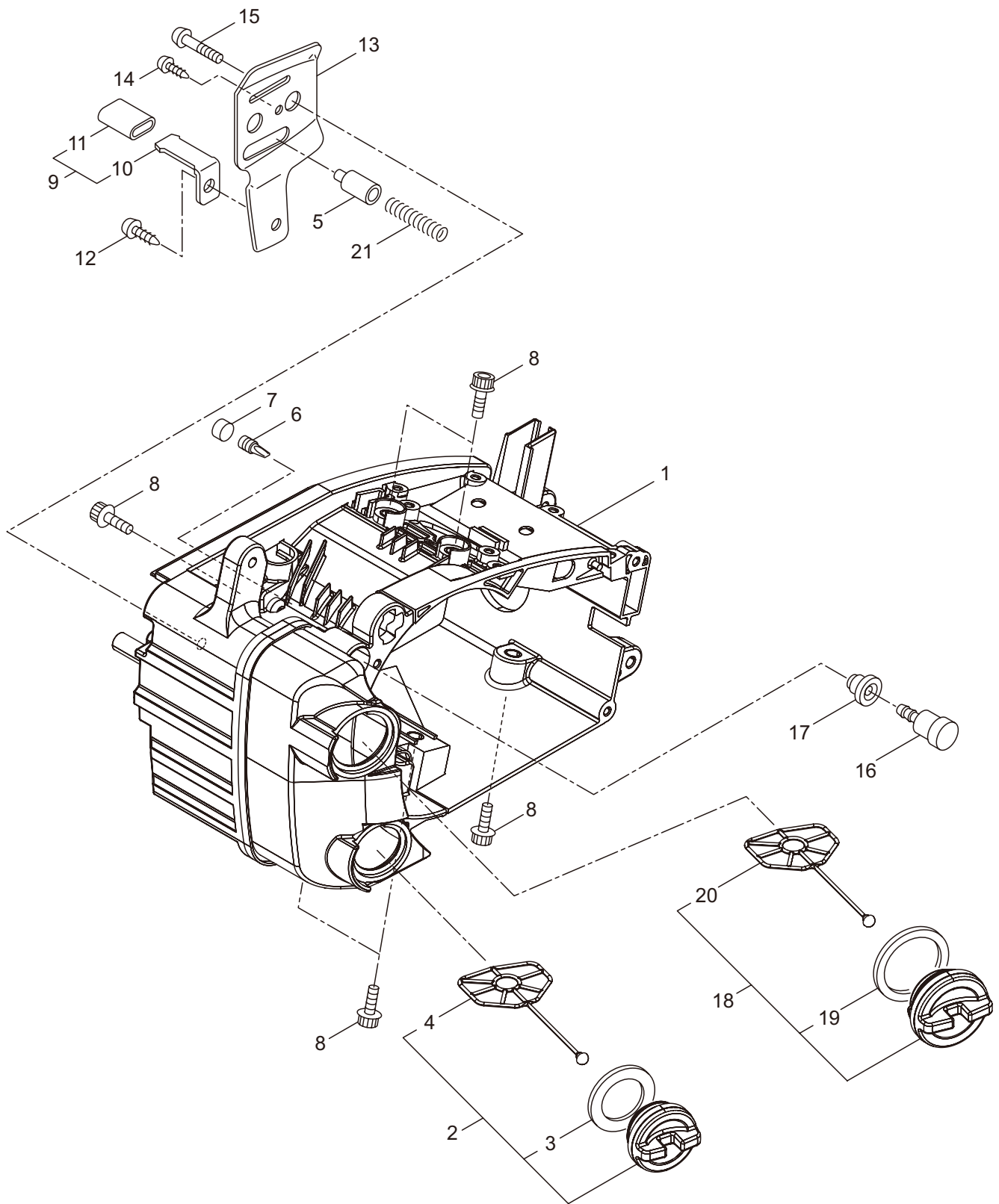
### 3. M-311CTS(10) CARBURETOR





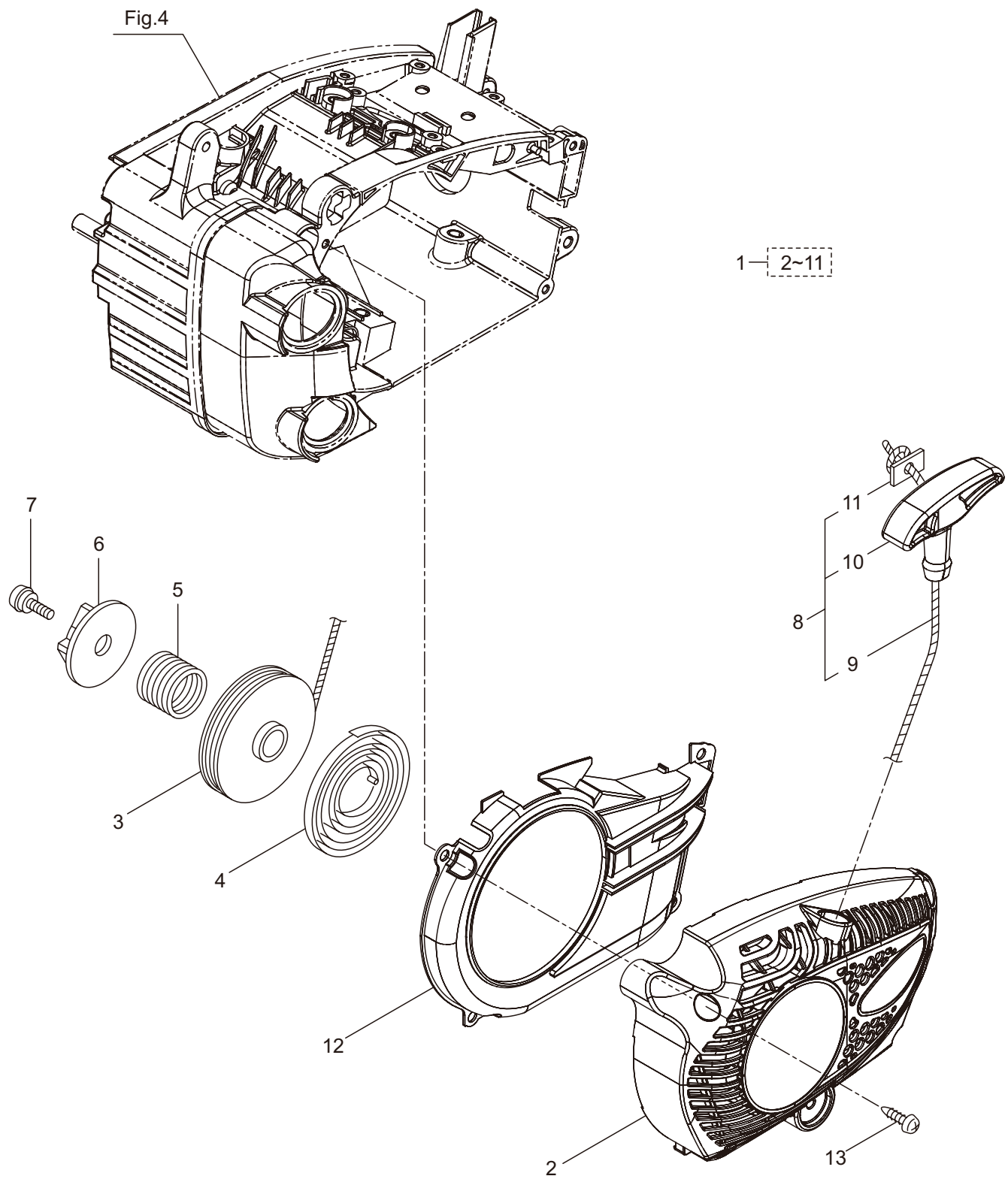
Ref. No.	Part No.	Part Name	Q'ty	Remarks
3-46	285631	Screw	1	M4x16
3-47	285631	Screw	2	M4x16
3-48	285580	Choke Rod	1	
3-49	285495	Insulator	1	
3-50	288551	Ring	1	
3-51	285497	Plate	1	

4. M-311CTS(10)  
ENGINE CASE



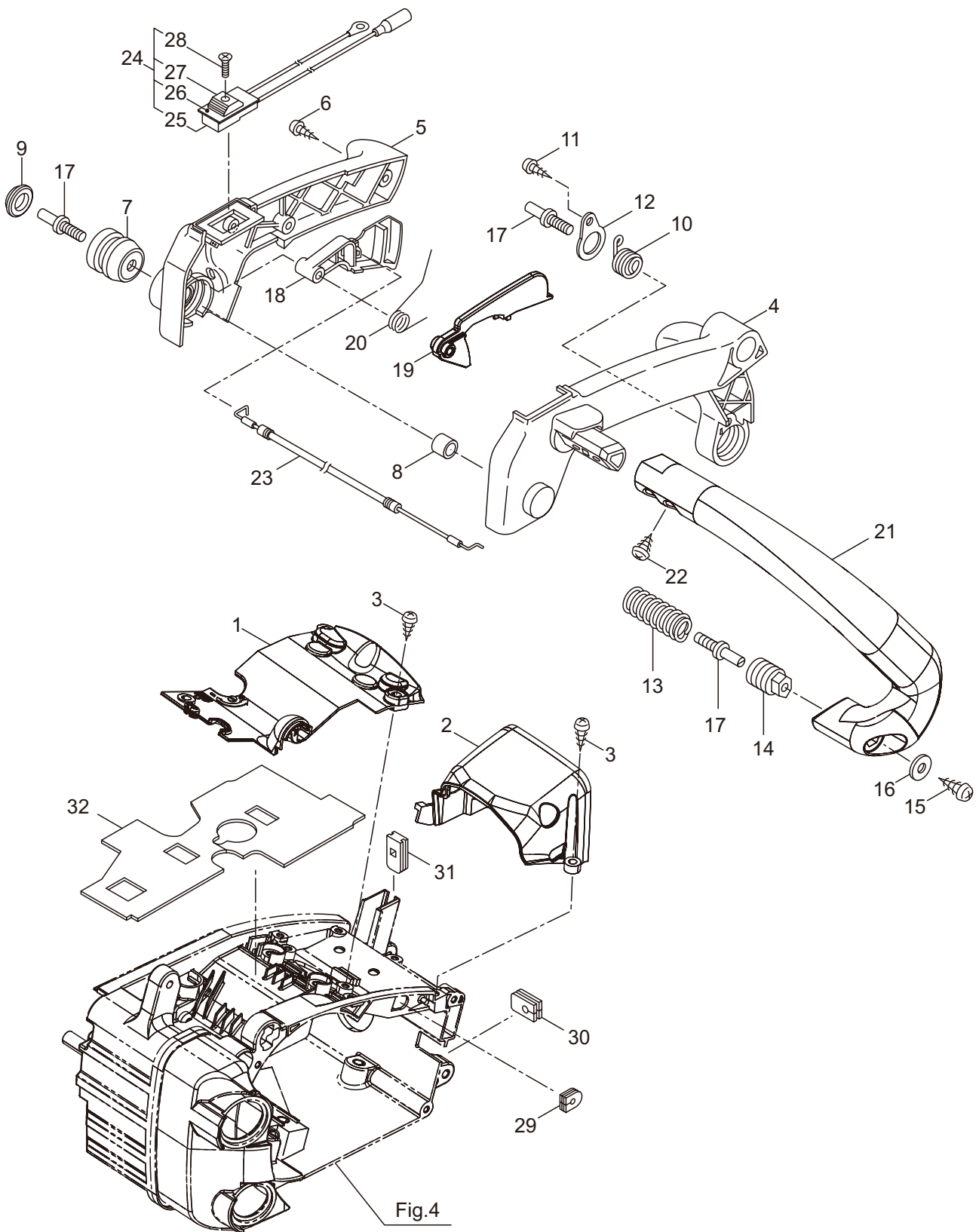
Ref. No.	Part No.	Part Name	Q'ty	Remarks
4-1	285694	Engine Case Ass'y	1	
4-2	285501	Oil Cap Ass'y	1	Incl.3,4
4-3	285503	Packing	1	
4-4	285504	Holder	1	
4-5	285628	Cap	1	
4-6	285574	Breather	1	
4-7	285526	Element	1	
4-8	285632	Bolt	6	M5x16
4-9	286803	Chain Catcher Ass'y	1	Incl.10,11
4-10	285583	Chain Catcher	1	
4-11	285585	Tube	1	7x10.5x18L
4-12	285634	Screw	1	M5x14
4-13	285531	Guide Plate L	1	
4-14	285627	Screw	1	M3x8
4-15	286804	Screw	1	M5x20x8
4-16	285832	Breather Ass'y	1	
4-17	285573	Breather Grommet	1	
4-18	286051	Fuel Cap Ass'y	1	Incl.19,20
4-19	286063	Packing	1	
4-20	285504	Holder	1	
4-21	285629	Spring	1	

5. M-311CTS(10)  
RECOIL STARTER



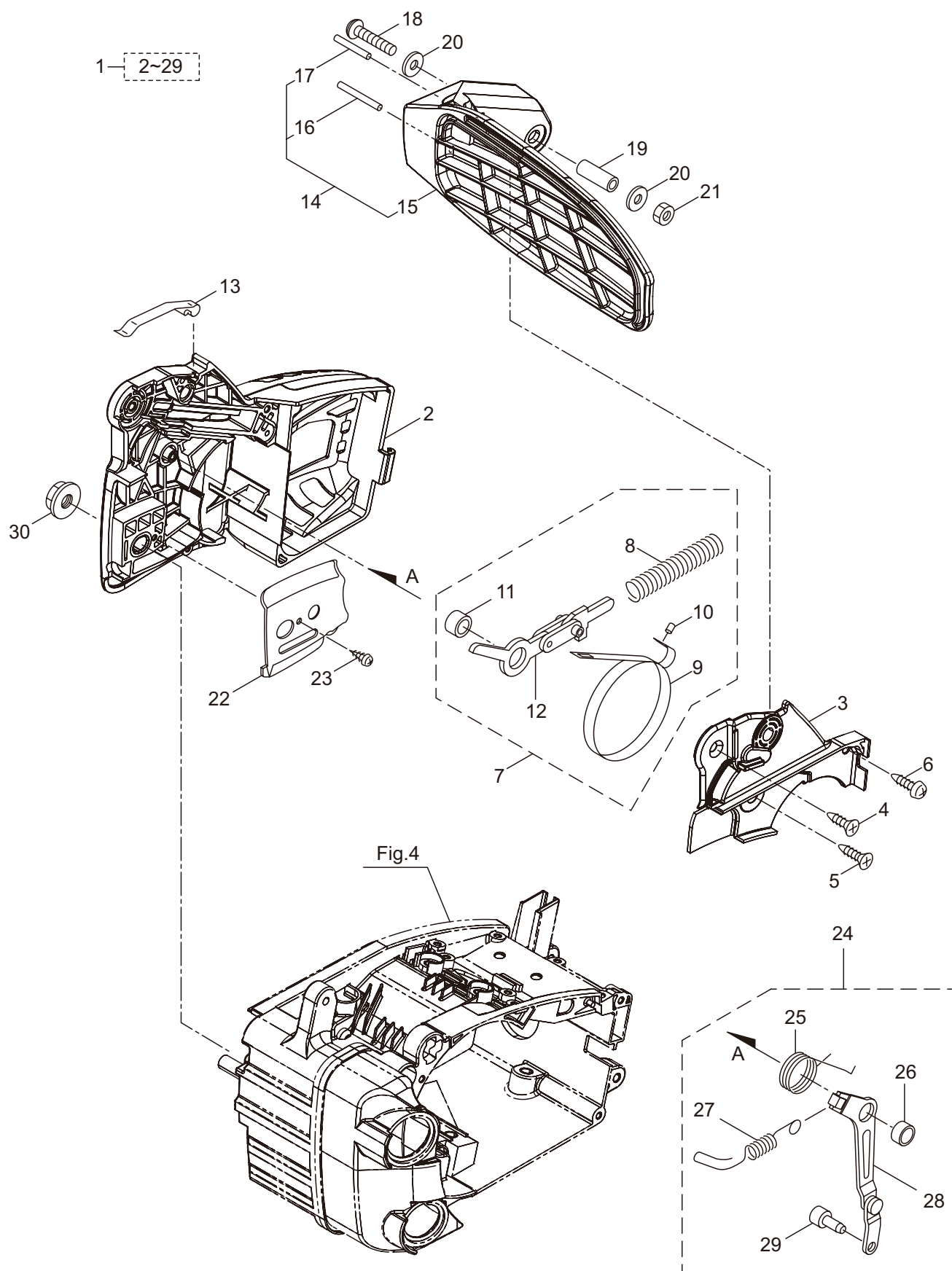
Ref. No.	Part No.	Part Name	Q'ty	Remarks
5-1	285577	Recoil Starter Ass'y	1	Incl.2-11
5-2	285695	Starter Case Comp.	1	
5-3	283274	Reel	1	
5-4	283275	Spring Ass'y	1	
5-5	283276	Damper Spring	1	
5-6	285597	Cam Plate	1	
5-7	267213	Screw	1	
5-8	285697	Rope Ass'y	1	Incl.9-11
5-9	283279	Starter Rope	1	
5-10	285581	Starter Knob	1	
5-11	283281	Rope Stopper	1	
5-12	285548	Fan Cover	1	
5-13	285631	Screw	4	M4x16

6. M-311CTS(10)  
HANDLE



Ref. No.	Part No.	Part Name	Q'ty	Remarks
6-1	285547	Top Cover	1	
6-2	286072	Carburetor Cover	1	
6-3	285631	Screw	5	M4x16
6-4	285620	Top Handle Case	1	
6-5	285621	Top Handle Cover	1	
6-6	285635	Screw	3	M4x14
6-7	285582	Buffer	1	
6-8	285565	Pipe	1	
6-9	285473	Cap	1	
6-10	285592	Spring	1	
6-11	285644	Screw	1	M4x12
6-12	285645	Stay	1	
6-13	285593	Spring	1	
6-14	285604	Boss	1	
6-15	285636	Screw	1	M5x20
6-16	263743	Washer	1	5.7x15.8xt2
6-17	285474	Stopper Bolt	3	
6-18	285602	Throttle Lever	1	
6-19	285603	Safety Lever	1	
6-20	285594	Spring	1	
6-21	285619	Side Handle	1	
6-22	285634	Screw	2	M5x14
6-23	285558	Cable Comp.	1	
6-24	286224	Switch Ass'y	1	Incl.25-28
6-25	286225	Switch	1	
6-26	286226	Label	1	
6-27	282171	Knob	1	
6-28	282172	Screw	1	
6-29	287300	Grommet	1	
6-30	285549	Grommet	1	
6-31	285642	Grommet	1	
6-32	286002	Gasket	1	

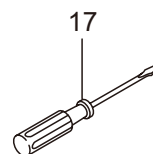
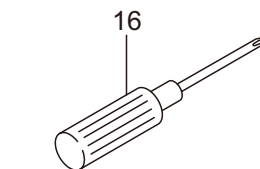
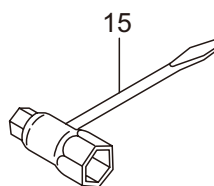
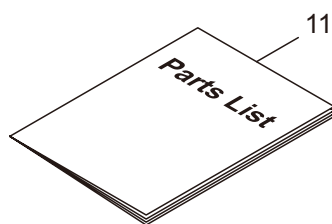
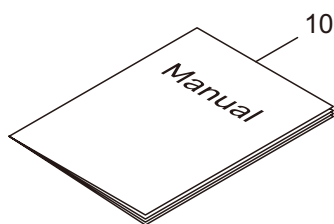
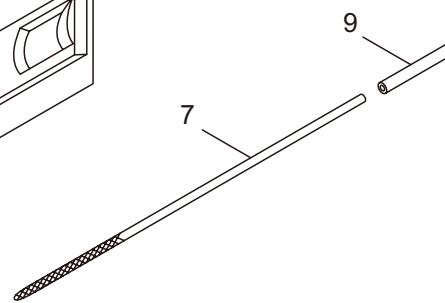
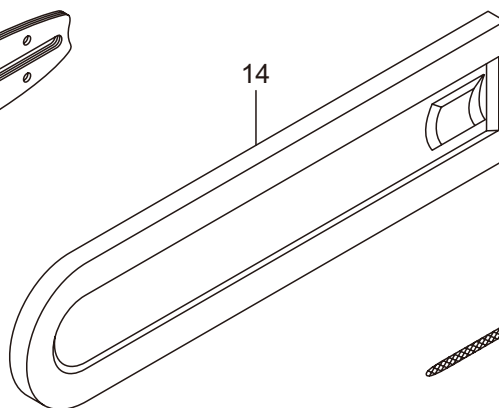
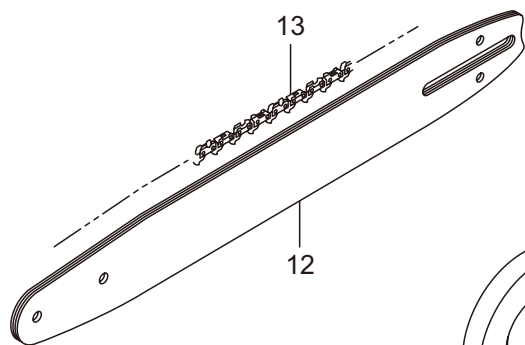
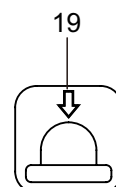
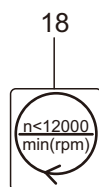
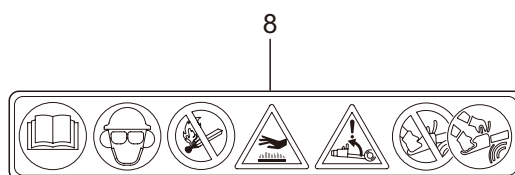
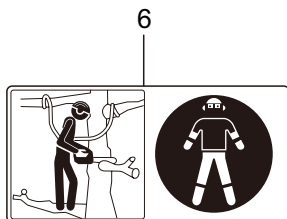
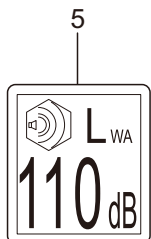
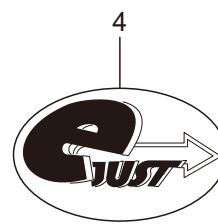
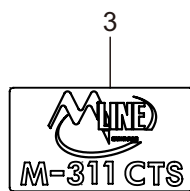
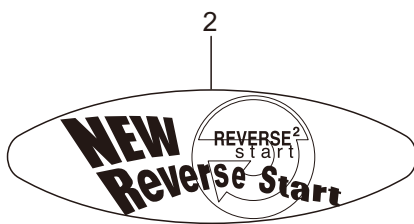
7. M-311CTS(10)  
CHAIN CASE





Ref. No.	Part No.	Part Name	Q'ty	Remarks
7-1	287044	Chain Case Ass'y	1	Incl.2-29
7-2	285576	Chain Case	1	
7-3	285622	Side Cover	1	
7-4	285637	Screw	1	M5x12
7-5	285639	Screw	1	M4x14
7-6	285644	Screw	1	M4x12
7-7	286823	Brake Ass'y	1	Incl.8-12
7-8	285605	Spring	1	
7-9	285572	Band	1	
7-10	285560	Pin	1	3x9.8
7-11	285606	Collar	1	8.2x12x7.2L
7-12	285570	Lever Comp.	1	
7-13	285595	Return Spring	1	
7-14	286057	Front Guard Comp.	1	Incl.15-17
7-15	285578	Front Guard	1	
7-16	285563	Pin	1	3x29.8
7-17	286048	Pin	1	3x23.8L
7-18	285638	Screw	1	M5x30
7-19	285607	Collar	1	5.2x7.5x22.5L
7-20	286045	Washer	2	5.3x15x1.2
7-21	285640	Nut	1	M5x0.8
7-22	285532	Guide Plate R	1	
7-23	285627	Screw	2	M3x8
7-24	286034	Tensioner Ass'y	1	Incl.25-29
7-25	285596	Spring	1	
7-26	285608	Collar	1	7.4x10x5.5L
7-27	289726	Spring	1	
7-28	285609	Link Comp.	1	
7-29	285614	Boss	1	
7-30	283041	Nut	1	M8

8. M-311CTS(10)  
 LABEL, ACCESSORIES



Ref. No.	Part No.	Part Name	Q'ty	Remarks
8-1	287675	Label	1	
8-2	289581	Label	1	REVERSE2
8-3	273033	Label	1	M-311CTS
8-4	289644	Label	1	E JUST
8-5	273036	Label	1	110 dB
8-6	287653	Label	1	
8-7	285729	File	1	
8-8	287161	Label	1	
8-9	285730	File Grip	1	
8-10	273769	Instruction Manual	1	M-311CT/CTS
8-11	523732	Parts List	1	M-311CTS(10)
8-12	289629	Guide Bar	1	
8-13	289536	Chain	1	
8-14	289632	Chain Cover	1	
8-15	288652	Combi Box Spanner	1	13x19 L=190
8-16	285732	Screwdriver	1	
8-17	286865	Screwdriver	1	
8-18	287616	Label	1	
8-19	272020	Label	1	